

Fluid-o-Tech brass rotary vane pumps



The rotary vane pumps, manufactured by Fluid-o-Tech and sold worldwide under the trademark Rotoflow, are volumetric pumps designed for pumping water and moderate aggressive liquids with low flow at high pressure.

Technical features and manufacturing characteristics

The rotary vane pump is brass made with a stainless steel AISI 303 rotor, while the pumping chamber and the vanes are in carbon graphite.

The inlet and outlet ports are 3/8" GAS or NPT threaded.

The pumps are designed to be directly mounted to the motor with a stainless steel clamp.

For different mounting arrangements see our technical info "optional mountings".

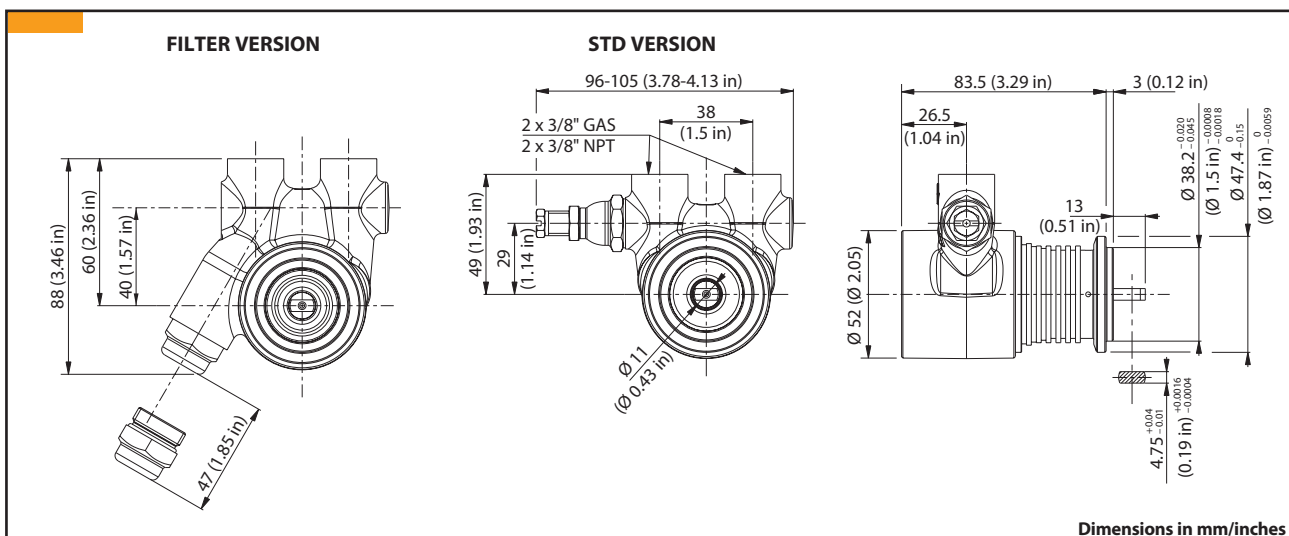
Maximum operative temperature: 70 °C (158 °F).

Main Applications

- Beverage vending machines
- Post mix drink dispensers
- Espresso coffee machines
- Cooling systems
- Fuel injection systems
- Reverse osmosis
- Ultra-filtration
- Water dispensers

Available upon request:

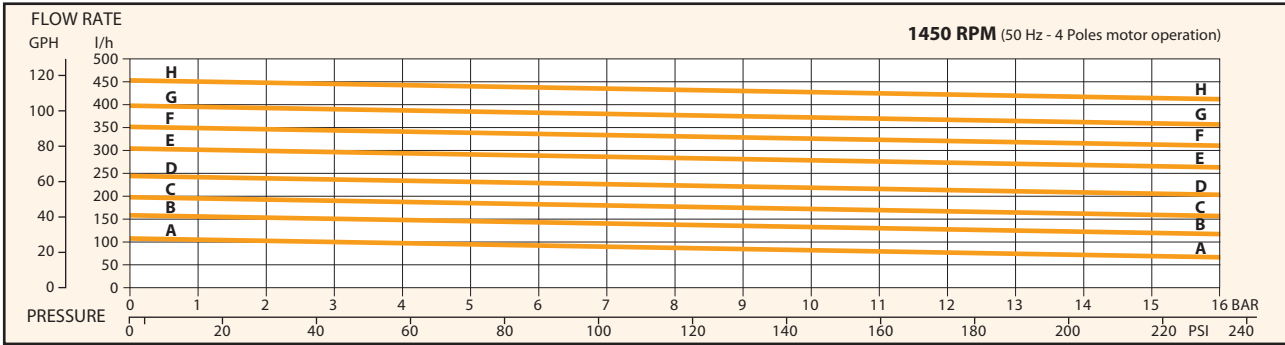
- Viton®/EPDM seals (suffix - V/E)
- built-in relief valve
- built-in 100 mesh filter
- flange mount
- California AB 1953 compliant brass



Dimensions in mm/inches

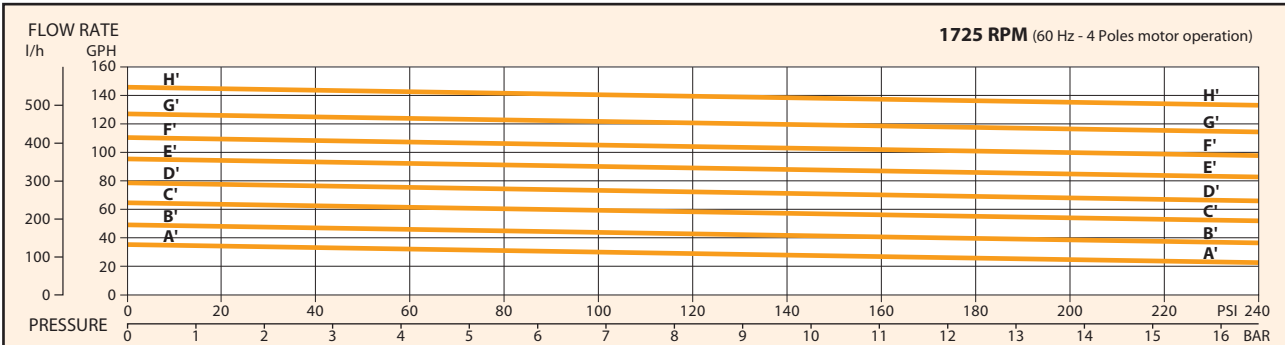
Model PO/PA	070	071	074	071x	074x	100	101	104	101x	104x	1500	1501	1504	1501x	1504x	200	201	204	201x	204x		
I/h at 2 BAR			100					150						190							236	
I/h at 7 BAR			89					139						179							225	
I/h at 14 BAR			70					120						160							206	
Figure			A-A					B-B						C-C							D-D	
Bypass valve	NO	STD	BAL	STD	BAL	NO	STD	BAL	STD	BAL	NO	STD	BAL	STD	BAL	NO	STD	BAL	STD	BAL	STD	BAL
Built in filter	NO	NO	NO	YES	YES	NO	NO	NO	YES	YES	NO	NO	NO	YES	YES	NO	NO	NO	YES	YES	NO	YES

Model PO/PA	2500	2501	2504	2501x	2504x	300	301	304	301x	304x	3500	3501	3504	3501x	3504x	400	401	404	401x	404x		
I/h at 2 BAR			295					345						390							445	
I/h at 7 BAR			284					334						379							434	
I/h at 14 BAR			265					315						360							415	
Figure			E-E					F-F						G-G							H-H	
Bypass valve	NO	STD	BAL	STD	BAL	NO	STD	BAL	STD	BAL	NO	STD	BAL	STD	BAL	NO	STD	BAL	STD	BAL	STD	BAL
Built in filter	NO	NO	NO	YES	YES	NO	NO	NO	YES	YES	NO	NO	NO	YES	YES	NO	NO	NO	YES	YES	NO	YES



Model PO/PA	070	071	074	071x	074x	100	101	104	101x	104x	1500	1501	1504	1501x	1504x	200	201	204	201x	204x		
GPH at 20 PSI			34					49						64							78	
GPH at 100 PSI			30					45						60							74	
GPH at 200 PSI			24					39						54							68	
Figure			A'-A'					B'-B'						C'-C'							D'-D'	
Bypass valve	NO	STD	BAL	STD	BAL	NO	STD	BAL	STD	BAL	NO	STD	BAL	STD	BAL	NO	STD	BAL	STD	BAL	STD	BAL
Built in filter	NO	NO	NO	YES	YES	NO	NO	NO	YES	YES	NO	NO	NO	YES	YES	NO	NO	NO	YES	YES	NO	YES

Model PO/PA	2500	2501	2504	2501x	2504x	300	301	304	301x	304x	3500	3501	3504	3501x	3504x	400	401	404	401x	404x		
I/h at 2 BAR			95					111						127							144	
I/h at 7 BAR			91					107						123							140	
I/h at 14 BAR			85					101						117							134	
Figure			E'-E'					F'-F'						G'-G'							H'-H'	
Bypass valve	NO	STD	BAL	STD	BAL	NO	STD	BAL	STD	BAL	NO	STD	BAL	STD	BAL	NO	STD	BAL	STD	BAL	STD	BAL
Built in filter	NO	NO	NO	YES	YES	NO	NO	NO	YES	YES	NO	NO	NO	YES	YES	NO	NO	NO	YES	YES	NO	YES



Pump weight: 900 g / 2.0 Lbs (clamp mount) 1,0 kg / 2.2 Lbs (clamp mount w/strainer) - Characteristics at constant motor speed, water at 20 °C / 68 °F and bypass blocked.
 For applications involving other fluids, high temperatures or unusual processing conditions, please consult the factory or an authorized Fluid-o-Tech distributor.